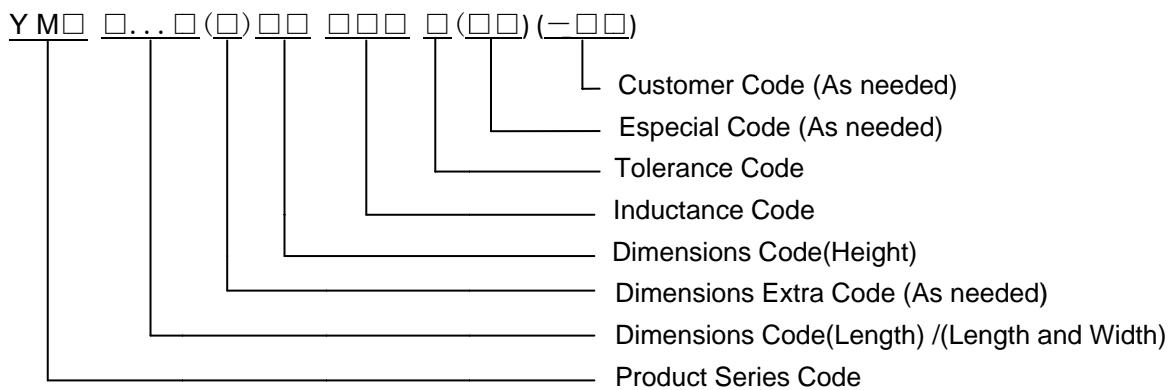


### Applications

- PDA / notebook / desktop / server applications
- Data networking and storage systems
- Low profile, high current power supplies
- Battery power systems
- SSD modules
- Notebook regulators
- Multi-phase regulators
- DC/DC converters in distributed power systems
- Smart phone POL modules

### Product Identification



### Features

- Iron alloy powder material
- Ultra low buzz noise
- Magnetically shielded, Low EMI
- High current carrying capacity, Low core losses

### Notes

- All test data is referenced to 25°C ambient
- Operating temperature range -55°C ~ +125°C (Including self temperature rise)
- Isat (A) : DC current that will cause Lo to drop approximately 30%
- Irms(A): DC current that will cause an approximate 40°C temperature rise

### Measure Equipment

- Ls: Wayne kerr 6500B/3265B LCR meter (100KHZ, 1.0V/1.0MHZ, 1.0V for mini molding)
- Isat/Irms: Wayne kerr 6500B+6565B/3260B+3265B
- DCR: RM3548

**Customization: according to customer's requirements**

**Electrical characteristics**

Part Number	Inductance ( $\mu$ H )	Test Condition	RDC(m $\Omega$ ) Max./Typ.	Irms(A) Typ.	Isat(A) Typ.
YMC2520101R0M	1.0 $\pm$ 20%	1MHz,1.0V	51/45	3.8/4.2	4.0/4.5
YMC2520101R5M	1.5 $\pm$ 20%	1MHz,1.0V	108/100	2.1/2.4	2.8/3.7
YMC2520102R2M	2.2 $\pm$ 20%	1MHz,1.0V	130/110	1.6/2.0	2.0/2.7
YMC252012R47M	0.47 $\pm$ 20%	1MHz,1.0V	23/21	4.0/4.5	4.3/4.8
YMC2520121R0M	1.0 $\pm$ 20%	1MHz,1.0V	48/42	3.5/4.0	3.5/4.0
YMC2520122R2M	2.2 $\pm$ 20%	1MHz,1.0V	98/90	2.0/2.4	2.4/2.8
YMC2520123R3M	3.3 $\pm$ 20%	1MHz,1.0V	135/120	1.8/2.0	1.8/2.3
YMC2520124R7M	4.7 $\pm$ 20%	1MHz,1.0V	175/160	1.5/1.8	1.3/1.6
YMC322512R47M	0.47 $\pm$ 20%	100kHz,1.0V	18/16	5.5/6.0	6.0/6.8
YMC03121R0M	1.0 $\pm$ 20%	100kHz,1.0V	32/28	4.5/4.8	5.8/6.5
YMC03124R7M	4.7 $\pm$ 20%	100kHz,1.0V	150/125	2.0/2.2	2.5/2.9
YMC0315A1R0M	1.0 $\pm$ 20%	100kHz,1.0V	33/30	5.5/6.5	5.3/6.3
YMC0315A2R2M	2.2 $\pm$ 20%	100kHz,1.0V	60/50	5.0/5.5	3.5/4.0
YMC03206R8M	6.8 $\pm$ 20%	100kHz,1.0V	143/130	2.6/2.9	2.5/3.0
YMC0408100M	10 $\pm$ 20%	100kHz,1.0V	370/340	1.3/1.7	1.2/ 1.5
YMC0410100M	10 $\pm$ 20%	100kHz,1.0V	330/300	1.6/1.8	1.6/1.8
YMC0412R60M	0.6 $\pm$ 20%	100kHz,1.0V	20/18	7.5/7.8	6.5/7.0
YMC0418100M	10 $\pm$ 20%	100kHz,1.0V	198/180	2.4/2.6	2.8/3.2
YMC04191R3M	1.3 $\pm$ 20%	100kHz,1.0V	15/12	9.0/11	8.0/9.0
YMC0610100M	10 $\pm$ 20%	100kHz,1.0V	300/270	2.0/2.3	1.9/2.1