

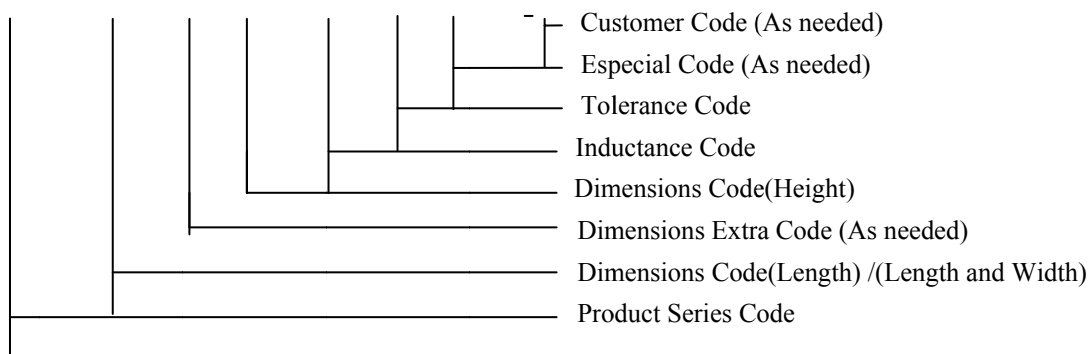


Applications

- PDA / notebook / desktop / server applications
- Data networking and storage systems
- Low profile, high current power supplies
- Battery power systems
- SSD modules
- Notebook regulators
- Multi-phase regulators
- DC/DC converters in distributed power systems
- Smart phone POL modules

Product Identification

Y M □ □ . . . □ (□) □ □ □ □ □ (□ □) (—□ □)



Features

- Iron alloy powder material
- Ultra low buzz noise
- Magnetically shielded, Low EMI
- High current carrying capacity, Low core losses

Notes

- All test data is referenced to 25°C ambient
- Operating temperature range -55°C~+125°C (Including self temperature rise)
- Isat (A) : DC current that will cause Lo to drop approximately 30%
- Irms(A): DC current that will cause an approximate 40°C temperature rise

Measure Equipment

- Ls: Wayne kerr 6500B/3265B LCR meter (100KHZ,1.0V/1.0MHZ,1.0V for mini molding)
- Isat/Irms: Wayne kerr 6500B+6565B/3260B+3265B
- DCR: RM3548

Customization: according to customer's requirements

Electrical characteristics

03 Series

| Part Number | Inductance (μH) | Test Condition | RDC(m Ω) Max./Typ. | Irms(A) Typ. | Isat(A) Typ. |
|-------------|------------------------------|----------------|----------------------------|--------------|--------------|
| YMG03152R2M | 2.2 \pm 20% | 100kHz,1.0V | 120/85 | 3.2 | 3.7 |
| YMG0320R47M | 0.47 \pm 20% | 100kHz,1.0V | 23/20 | 6.5 | 8.0 |
| YMG03201R0M | 1.0 \pm 20% | 100kHz,1.0V | 38/32 | 4.5 | 6.0 |
| YMG03202R2M | 2.2 \pm 20% | 100kHz,1.0V | 75/65 | 3.5 | 4.2 |
| YMG03203R3M | 3.3 \pm 20% | 100kHz,1.0V | 90/80 | 2.7 | 3.8 |

04 Series

| Part Number | Inductance (μH) | Test Condition | RDC(m Ω) Max./Typ. | Irms(A) Typ. | Isat(A) Typ. |
|-------------|------------------------------|----------------|----------------------------|--------------|--------------|
| YMG0412R22M | 0.22 \pm 20% | 100kHz,1.0V | 12/9.5 | 9.0 | 12 |
| YMG0412R33M | 0.33 \pm 20% | 100kHz,1.0V | 15/12 | 7.5 | 10 |
| YMG0412R47M | 0.47 \pm 20% | 100kHz,1.0V | 21/19 | 6.0 | 7.0 |
| YMG0412R68M | 0.68 \pm 20% | 100kHz,1.0V | 25/20 | 5.5 | 7.0 |
| YMG04121R0M | 1.0 \pm 20% | 100kHz,1.0V | 47/42 | 4.2 | 5.2 |
| YMG04121R5M | 1.5 \pm 20% | 100kHz,1.0V | 70/55 | 3.5 | 4.0 |
| YMG04122R2M | 2.2 \pm 20% | 100kHz,1.0V | 83/78 | 2.8 | 3.5 |
| YMG04123R3M | 3.3 \pm 20% | 100kHz,1.0V | 120/105 | 2.0 | 3.0 |
| YMG04124R7M | 4.7 \pm 20% | 100kHz,1.0V | 150/133 | 2.4 | 2.8 |
| YMG04152R2M | 2.2 \pm 20% | 100kHz,1.0V | 80/70 | 3.0 | 5.0 |
| YMG04153R3M | 3.3 \pm 20% | 100kHz,1.0V | 95/87 | 2.5 | 3.5 |
| YMG04154R7M | 4.7 \pm 20% | 100kHz,1.0V | 135/120 | 2.0 | 3.0 |
| YMG0420R10M | 0.1 \pm 20% | 100kHz,1.0V | 3.5/3 | 13 | 23 |
| YMG0420R22M | 0.22 \pm 20% | 100kHz,1.0V | 6.5/5.5 | 9.5 | 13 |
| YMG0420R33M | 0.33 \pm 20% | 100kHz,1.0V | 10/8 | 10 | 12 |
| YMG0420R47M | 0.47 \pm 20% | 100kHz,1.0V | 12/9 | 8.0 | 9.5 |
| YMG0420R56M | 0.56 \pm 20% | 100kHz,1.0V | 15/12 | 7.5 | 9.0 |
| YMG0420R68M | 0.68 \pm 20% | 100kHz,1.0V | 15/12 | 7.0 | 9.0 |
| YMG04201R0M | 1.0 \pm 20% | 100kHz,1.0V | 24/19 | 6.0 | 7.0 |
| YMG04201R5M | 1.5 \pm 20% | 100kHz,1.0V | 28/25 | 5.5 | 6.0 |
| YMG04202R2M | 2.2 \pm 20% | 100kHz,1.0V | 45/39 | 4.5 | 5.0 |

| Part Number | Inductance (μ H) | Test Condition | RDC(m Ω) Max./Typ. | Irms(A) Typ. | Isat(A) Typ. |
|-------------|------------------------|----------------|----------------------------|--------------|--------------|
| YMG04202R7M | 2.7 \pm 20% | 100kHz,1.0V | 75/62 | 3.5 | 4.5 |
| YMG04203R3M | 3.3 \pm 20% | 100kHz,1.0V | 80/70 | 3.5 | 4.0 |
| YMG04204R7M | 4.7 \pm 20% | 100kHz,1.0V | 110/92 | 2.8 | 3.0 |
| YMG04206R8M | 6.8 \pm 20% | 100kHz,1.0V | 135/125 | 2.4 | 2.5 |
| YMG04208R2M | 8.2 \pm 20% | 100kHz,1.0V | 185/160 | 2.0 | 2.5 |
| YMG0420100M | 10.0 \pm 20% | 100kHz,1.0V | 190/165 | 2.0 | 2.5 |

05 Series

| Part Number | Inductance (μ H) | Test Condition | RDC(m Ω) Max./Typ. | Irms(A) Typ. | Isat(A) Typ. |
|-------------|------------------------|----------------|----------------------------|--------------|--------------|
| YMG0515R33M | 0.33 \pm 20% | 100kHz,1.0V | 6.5/5.5 | 12 | 16 |
| YMG0515R47M | 0.47 \pm 20% | 100kHz,1.0V | 13/11 | 9.0 | 13 |
| YMG05151R0M | 1.0 \pm 20% | 100kHz,1.0V | 23/21 | 6.5 | 9.0 |
| YMG05151R5M | 1.5 \pm 20% | 100kHz,1.0V | 32/27 | 5.5 | 7.0 |
| YMG05152R2M | 2.2 \pm 20% | 100kHz,1.0V | 46/40 | 4.5 | 6.0 |
| YMG05153R3M | 3.3 \pm 20% | 100kHz,1.0V | 72/62 | 3.5 | 5.0 |
| YMG05154R7M | 4.7 \pm 20% | 100kHz,1.0V | 117/102 | 2.7 | 4.0 |
| YMG05156R8M | 6.8 \pm 20% | 100kHz,1.0V | 170/150 | 2.3 | 3.0 |
| YMG0515100M | 10 \pm 20% | 100kHz,1.0V | 195/175 | 2.0 | 2.3 |
| YMG0518R47M | 0.47 \pm 20% | 100kHz,1.0V | 9.0/8.3 | 10.5 | 15.5 |
| YMG0518R68M | 0.68 \pm 20% | 100kHz,1.0V | 14/11 | 9.0 | 13 |
| YMG05181R0M | 1.0 \pm 20% | 100kHz,1.0V | 18/15 | 8.0 | 9.0 |
| YMG05181R5M | 1.5 \pm 20% | 100kHz,1.0V | 26/21 | 7.0 | 9.0 |
| YMG05182R2M | 2.2 \pm 20% | 100kHz,1.0V | 35/31 | 5.0 | 6.5 |
| YMG05183R3M | 3.3 \pm 20% | 100kHz,1.0V | 58/50 | 4.5 | 5.0 |
| YMG05184R7M | 4.7 \pm 20% | 100kHz,1.0V | 85/75 | 3.5 | 4.0 |
| YMG05186R8M | 6.8 \pm 20% | 100kHz,1.0V | 120/107 | 2.8 | 3.4 |
| YMG0518100M | 10 \pm 20% | 100kHz,1.0V | 155/145 | 2.5 | 3.0 |
| YMG0520R22M | 0.22 \pm 20% | 100kHz,1.0V | 4.0/3.2 | 17 | 18.5 |
| YMG0520R33M | 0.33 \pm 20% | 100kHz,1.0V | 7.3/6.6 | 12.5 | 17 |
| YMG0520R47M | 0.47 \pm 20% | 100kHz,1.0V | 9.0/8.3 | 10.5 | 15.5 |
| YMG0520R68M | 0.68 \pm 20% | 100kHz,1.0V | 10/9.0 | 10 | 10 |
| YMG05201R0M | 1.0 \pm 20% | 100kHz,1.0V | 26/23 | 6.0 | 8.0 |

| Part Number | Inductance (μH) | Test Condition | RDC(m Ω) Max./Typ. | Irms(A) Typ. | Isat(A) Typ. |
|-------------|------------------------------|----------------|----------------------------|--------------|--------------|
| YMG05201R5M | 1.5 \pm 20% | 100kHz,1.0V | 35/30 | 5.5 | 7.5 |
| YMG05202R2M | 2.2 \pm 20% | 100kHz,1.0V | 50/45 | 4.3 | 6.0 |
| YMG05203R3M | 3.3 \pm 20% | 100kHz,1.0V | 46/40 | 4.0 | 6.0 |
| YMG05204R7M | 4.7 \pm 20% | 100kHz,1.0V | 85/75 | 3.4 | 4.0 |
| YMG05206R8M | 6.8 \pm 20% | 100kHz,1.0V | 145/127 | 2.3 | 2.3 |
| YMG0530R47M | 0.47 \pm 20% | 100kHz,1.0V | 8.0/7.5 | 11 | 14 |
| YMG0530R68M | 0.68 \pm 20% | 100kHz,1.0V | 12/8.5 | 9.5 | 11.5 |
| YMG05301R0M | 1.0 \pm 20% | 100kHz,1.0V | 15/11 | 9.0 | 10 |
| YMG05301R5M | 1.5 \pm 20% | 100kHz,1.0V | 18/13 | 8.5 | 9.0 |
| YMG05302R2M | 2.2 \pm 20% | 100kHz,1.0V | 24/21 | 6.5 | 7.0 |
| YMG05303R3M | 3.3 \pm 20% | 100kHz,1.0V | 38/33 | 5.0 | 6.0 |
| YMG05304R7M | 4.7 \pm 20% | 100kHz,1.0V | 60/50 | 4.5 | 4.5 |
| YMG05306R8M | 6.8 \pm 20% | 100kHz,1.0V | 85/68 | 3.5 | 3.5 |
| YMG0530100M | 10.0 \pm 20% | 100kHz,1.0V | 120/102 | 3.2 | 3.2 |

06 Series

| Part Number | Inductance (μH) | Test Condition | RDC(m Ω) Max./Typ. | Irms(A) Typ. | Isat(A) Typ. |
|-------------|------------------------------|----------------|----------------------------|--------------|--------------|
| YMG0615R22M | 0.22 \pm 20% | 100kHz,1.0V | 3.8/3.2 | 20 | 27 |
| YMG0615R33M | 0.33 \pm 20% | 100kHz,1.0V | 8/7.2 | 10 | 19 |
| YMG0615R47M | 0.47 \pm 20% | 100kHz,1.0V | 7.2/6.4 | 12.5 | 16 |
| YMG0615R68M | 0.68 \pm 20% | 100kHz,1.0V | 11/10 | 9.0 | 14 |
| YMG06151R0M | 1.0 \pm 20% | 100kHz,1.0V | 22/19 | 6.8 | 9.0 |
| YMG06151R5M | 1.5 \pm 20% | 100kHz,1.0V | 34/30 | 6.0 | 8.3 |
| YMG06152R2M | 2.2 \pm 20% | 100kHz,1.0V | 45/40 | 5.0 | 6.0 |
| YMG06153R3M | 3.3 \pm 20% | 100kHz,1.0V | 52/47 | 4.2 | 5.5 |
| YMG06154R7M | 4.7 \pm 20% | 100kHz,1.0V | 86/77 | 3.0 | 4.5 |
| YMG06156R8M | 6.8 \pm 20% | 100kHz,1.0V | 150/132 | 2.3 | 3.5 |
| YMG0615100M | 10.0 \pm 20% | 100kHz,1.0V | 185/164 | 2.0 | 3.0 |
| YMG0618R22M | 0.22 \pm 20% | 100kHz,1.0V | 5.0/4.3 | 15 | 29 |
| YMG0618R33M | 0.33 \pm 20% | 100kHz,1.0V | 6.5/5.8 | 12 | 22 |
| YMG0618R47M | 0.47 \pm 20% | 100kHz,1.0V | 8.6/7.7 | 11 | 18 |
| YMG0618R68M | 0.68 \pm 20% | 100kHz,1.0V | 14/12.7 | 8.0 | 15 |

| Part Number | Inductance (μ H) | Test Condition | RDC(m Ω) Max./Typ. | Irms(A) Typ. | Isat(A) Typ. |
|-------------|------------------------|----------------|----------------------------|--------------|--------------|
| YMG06181R0M | 1.0 \pm 20% | 100kHz,1.0V | 17/15.4 | 8.0 | 14 |
| YMG06181R5M | 1.5 \pm 20% | 100kHz,1.0V | 26/23.5 | 6.5 | 10 |
| YMG06182R2M | 2.2 \pm 20% | 100kHz,1.0V | 35/31.5 | 6.0 | 9.0 |
| YMG06183R3M | 3.3 \pm 20% | 100kHz,1.0V | 52/46 | 5.0 | 8.0 |
| YMG06184R7M | 4.7 \pm 20% | 100kHz,1.0V | 62/56 | 4.0 | 5.0 |
| YMG06186R8M | 6.8 \pm 20% | 100kHz,1.0V | 115/100 | 2.8 | 3.7 |
| YMG0618100M | 10.0 \pm 20% | 100kHz,1.0V | 135/115 | 3.0 | 3.0 |
| YMG0620R47M | 0.47 \pm 20% | 100kHz,1.0V | 6.5/5.5 | 13 | 20 |
| YMG06201R0M | 1.0 \pm 20% | 100kHz,1.0V | 15/13 | 9.0 | 16 |
| YMG06201R5M | 1.5 \pm 20% | 100kHz,1.0V | 27/22.5 | 6.8 | 12 |
| YMG06202R2M | 2.2 \pm 20% | 100kHz,1.0V | 30/25.5 | 6.0 | 8.0 |
| YMG06203R3M | 3.3 \pm 20% | 100kHz,1.0V | 48/41.5 | 4.5 | 7.0 |
| YMG06204R7M | 4.7 \pm 20% | 100kHz,1.0V | 56/51 | 4.4 | 6.0 |
| YMG06206R8M | 6.8 \pm 20% | 100kHz,1.0V | 76/66 | 3.3 | 3.5 |
| YMG0620100M | 10.0 \pm 20% | 100kHz,1.0V | 140/120 | 3.0 | 3.0 |
| YMG0624R22M | 0.22 \pm 20% | 100kHz,1.0V | 3.2/2.7 | 21 | 34 |
| YMG0624R33M | 0.33 \pm 20% | 100kHz,1.0V | 4.2/3.6 | 18 | 25 |
| YMG0624R47M | 0.47 \pm 20% | 100kHz,1.0V | 5.5/4.9 | 13.5 | 22 |
| YMG0624R68M | 0.68 \pm 20% | 100kHz,1.0V | 8.2/7.3 | 11 | 18 |
| YMG06241R0M | 1.0 \pm 20% | 100kHz,1.0V | 10/8.8 | 11 | 15 |
| YMG06241R5M | 1.5 \pm 20% | 100kHz,1.0V | 15/12.8 | 8.0 | 10 |
| YMG06242R2M | 2.2 \pm 20% | 100kHz,1.0V | 24/20 | 7.5 | 7.5 |
| YMG06243R3M | 3.3 \pm 20% | 100kHz,1.0V | 40/34 | 5.5 | 7.0 |
| YMG06244R7M | 4.7 \pm 20% | 100kHz,1.0V | 38/32 | 5.5 | 6.5 |
| YMG06246R8M | 6.8 \pm 20% | 100kHz,1.0V | 80/71 | 3.5 | 5.0 |
| YMG0624100M | 10.0 \pm 20% | 100kHz,1.0V | 100/90 | 3.2 | 4.5 |
| YMG0630R22M | 0.22 \pm 20% | 100kHz,1.0V | 3.0/2.5 | 24 | 34 |
| YMG0630R33M | 0.33 \pm 20% | 100kHz,1.0V | 3.5/3.0 | 21 | 27 |
| YMG0630R47M | 0.47 \pm 20% | 100kHz,1.0V | 4.1/3.5 | 18 | 20 |
| YMG0630R68M | 0.68 \pm 20% | 100kHz,1.0V | 5.3/4.8 | 16 | 17 |
| YMG06301R0M | 1.0 \pm 20% | 100kHz,1.0V | 7.4/6.7 | 12 | 15 |
| YMG06301R5M | 1.5 \pm 20% | 100kHz,1.0V | 12/10.5 | 14 | 12 |

| Part Number | Inductance (μ H) | Test Condition | RDC(m Ω) Max./Typ. | Irms(A) Typ. | Isat(A) Typ. |
|-------------|------------------------|----------------|----------------------------|--------------|--------------|
| YMG06302R2M | 2.2 \pm 20% | 100kHz,1.0V | 15/13.5 | 9.5 | 10 |
| YMG06303R3M | 3.3 \pm 20% | 100kHz,1.0V | 22/18 | 8.5 | 9.5 |
| YMG06304R7M | 4.7 \pm 20% | 100kHz,1.0V | 36/30 | 6.0 | 6.5 |
| YMG06306R8M | 6.8 \pm 20% | 100kHz,1.0V | 55/49 | 5.0 | 6.0 |
| YMG0630100M | 10.0 \pm 20% | 100kHz,1.0V | 68/62 | 4.5 | 5.5 |
| YMG0630330M | 33.0 \pm 20% | 100kHz,1.0V | 297/270 | 2.0 | 3.0 |
| YMG0630470M | 47.0 \pm 20% | 100kHz,1.0V | 360/325 | 1.6 | 2.2 |
| YMG0640R33M | 0.33 \pm 20% | 100kHz,1.0V | 2.2/1.8 | 28 | 30 |
| YMG0640R47M | 0.47 \pm 20% | 100kHz,1.0V | 2.4/1.9 | 23 | 26 |
| YMG0640R68M | 0.68 \pm 20% | 100kHz,1.0V | 4.8/4.1 | 16 | 16 |
| YMG06401R0M | 1.0 \pm 20% | 100kHz,1.0V | 6.5/5.7 | 13 | 15 |
| YMG06401R5M | 1.5 \pm 20% | 100kHz,1.0V | 14/11.5 | 10 | 13 |
| YMG06402R2M | 2.2 \pm 20% | 100kHz,1.0V | 22/17 | 8.0 | 12 |
| YMG06403R3M | 3.3 \pm 20% | 100kHz,1.0V | 30/25 | 6.3 | 11 |
| YMG06404R7M | 4.7 \pm 20% | 100kHz,1.0V | 35/30.5 | 6.0 | 9.0 |
| YMG06406R8M | 6.8 \pm 20% | 100kHz,1.0V | 48/41 | 5.0 | 8.0 |
| YMG0640100M | 10.0 \pm 20% | 100kHz,1.0V | 70/62 | 4.0 | 7.0 |
| YMG0640150M | 15.0 \pm 20% | 100kHz,1.0V | 110/96 | 3.0 | 4.5 |
| YMG0640220M | 22.0 \pm 20% | 100kHz,1.0V | 120/104 | 2.5 | 3.8 |
| YMG0650R22M | 0.22 \pm 20% | 100kHz,1.0V | 2/1.5 | 30 | 50 |
| YMG0650R47M | 0.47 \pm 20% | 100kHz,1.0V | 2.2/1.8 | 24 | 26 |
| YMG0650R68M | 0.68 \pm 20% | 100kHz,1.0V | 4.5/3.9 | 18 | 18 |
| YMG06501R0M | 1.0 \pm 20% | 100kHz,1.0V | 5.5/4.9 | 15 | 16 |
| YMG06501R5M | 1.5 \pm 20% | 100kHz,1.0V | 8.6/7.7 | 12 | 12 |
| YMG06502R2M | 2.2 \pm 20% | 100kHz,1.0V | 11/10 | 10 | 14 |
| YMG06503R3M | 3.3 \pm 20% | 100kHz,1.0V | 18/15 | 9.0 | 10 |
| YMG06504R7M | 4.7 \pm 20% | 100kHz,1.0V | 24/21 | 7.5 | 8.0 |
| YMG06506R8M | 6.8 \pm 20% | 100kHz,1.0V | 48/42 | 5.2 | 7.0 |
| YMG0650100M | 10.0 \pm 20% | 100kHz,1.0V | 70/56 | 4.5 | 5.0 |
| YMG0650150M | 15.0 \pm 20% | 100kHz,1.0V | 98/86 | 3.5 | 5.0 |
| YMG0650220M | 22.0 \pm 20% | 100kHz,1.0V | 120/107 | 3.2 | 4.5 |
| YMG0650330M | 33.0 \pm 20% | 100kHz,1.0V | 190/170 | 2.0 | 3.0 |

| Part Number | Inductance (μH) | Test Condition | RDC(m Ω) Max./Typ. | Irms(A) Typ. | Isat(A) Typ. |
|-------------|------------------------------|----------------|----------------------------|--------------|--------------|
| MG0650470M | 47.0 \pm 20% | 100kHz,1.0V | 230/200 | 2.0 | 2.5 |
| YMG0730R36M | 0.36 \pm 20% | 100kHz,1.0V | 2.2/1.9 | 25 | 30 |

07 Series

| Part Number | Inductance (μH) | Test Condition | RDC(m Ω) Max./Typ. | Irms(A) Typ. | Isat(A) Typ. |
|-------------|------------------------------|----------------|----------------------------|--------------|--------------|
| YMG07301R0M | 1.0 \pm 20% | 100kHz,1.0V | 6.2/5.4 | 15 | 17 |
| YMG07301R5M | 1.5 \pm 20% | 100kHz,1.0V | 9.0/7.8 | 12 | 15 |
| YMG07302R2M | 2.2 \pm 20% | 100kHz,1.0V | 12/10.4 | 10.5 | 14 |
| YMG0750R22M | 0.22 \pm 20% | 100kHz,1.0V | 1.09/1.02 | 32 | 45 |
| YMG0750R36M | 0.36 \pm 20% | 100kHz,1.0V | 2.0/1.4 | 30 | 40 |
| YMG07501R0M | 1.0 \pm 20% | 100kHz,1.0V | 5.0/3.8 | 19 | 19 |
| YMG07501R5M | 1.5 \pm 20% | 100kHz,1.0V | 8.0/6.5 | 13 | 14 |
| YMG07502R2M | 2.2 \pm 20% | 100kHz,1.0V | 9.0/7.8 | 12 | 12 |
| YMG07503R3M | 3.3 \pm 20% | 100kHz,1.0V | 14/12 | 10 | 11 |
| YMG07504R7M | 4.7 \pm 20% | 100kHz,1.0V | 15.5/13.6 | 9.5 | 9.5 |
| YMG07506R8M | 6.8 \pm 20% | 100kHz,1.0V | 25/22 | 7.0 | 7.0 |
| YMG0750150M | 15 \pm 20% | 100kHz,1.0V | 60/52 | 4.0 | 5.0 |
| YMG0750220M | 22 \pm 20% | 100kHz,1.0V | 90/78 | 4.0 | 4.5 |

08 Series

| Part Number | Inductance (μH) | Test Condition | RDC(m Ω) Max./Typ. | Irms(A) Typ. | Isat(A) Typ. |
|-------------|------------------------------|----------------|----------------------------|--------------|--------------|
| YMG0850R22M | 0.22 \pm 20% | 100kHz,1.0V | 0.8/0.67 | 42 | 46 |
| YMG0850R36M | 0.36 \pm 20% | 100kHz,1.0V | 1.5/1.3 | 30 | 38 |
| YMG0850R47M | 0.47 \pm 20% | 100kHz,1.0V | 1.45/1.25 | 30 | 35 |
| YMG08501R0M | 1.0 \pm 20% | 100kHz,1.0V | 4.2/3.8 | 16.5 | 19 |
| YMG08503R3M | 3.3 \pm 20% | 100kHz,1.0V | 16.5/14.3 | 5.5 | 5.5 |
| YMG08504R7M | 4.7 \pm 20% | 100kHz,1.0V | 19/17.2 | 5.0 | 5.0 |

10 Series

| Part Number | Inductance (μH) | Test Condition | RDC(m Ω) Max./Typ. | Irms(A) Typ. | Isat(A) Typ. |
|---------------|------------------------------|----------------|----------------------------|--------------|--------------|
| YMG100750R22M | 0.22 \pm 20% | 100kHz,1.0V | 1.1/0.9 | 34 | 45 |
| YMG100750R33M | 0.33 \pm 20% | 100kHz,1.0V | 1.2/1.08 | 32 | 40 |

| Part Number | Inductance (μ H) | Test Condition | RDC(m Ω) Max./Typ. | Irms(A) Typ. | Isat(A) Typ. |
|---------------|------------------------|----------------|----------------------------|--------------|--------------|
| YMG100750R47M | 0.47 \pm 20% | 100kHz,1.0V | 1.6/1.4 | 28 | 35 |
| YMG100750R68M | 0.68 \pm 20% | 100kHz,1.0V | 5/4.2 | 18 | 18 |
| YMG1007503R3M | 3.3 \pm 20% | 100kHz,1.0V | 15.2/13.6 | 9.0 | 12 |
| YMG1007504R7M | 4.7 \pm 20% | 100kHz,1.0V | 16/14.5 | 8.0 | 10 |
| YMG1007506R8M | 6.8 \pm 20% | 100kHz,1.0V | 25/22.2 | 6.5 | 7.0 |
| YMG10303R3M | 3.3 \pm 20% | 100kHz,1.0V | 16.5/15 | 9.0 | 12 |
| YMG1040R19M | 0.19 \pm 20% | 100kHz,1.0V | 0.92/0.87 | 35 | 70 |
| YMG1040R22M | 0.22 \pm 20% | 100kHz,1.0V | 0.82/0.72 | 40 | 60 |
| YMG1040R33M | 0.33 \pm 20% | 100kHz,1.0V | 1.2/1.08 | 32 | 55 |
| YMG1040R47M | 0.47 \pm 20% | 100kHz,1.0V | 1.5/1.3 | 30 | 40 |
| YMG10402R56M | 0.56 \pm 20% | 100kHz,1.0V | 1.6/1.4 | 30 | 40 |
| YMG1040R68M | 0.68 \pm 20% | 100kHz,1.0V | 2.3/2.1 | 23 | 35 |
| YMG10401R0M | 1.0 \pm 20% | 100kHz,1.0V | 2.8/2.6 | 20 | 30 |
| YMG10401R5M | 1.5 \pm 20% | 100kHz,1.0V | 4.1/3.6 | 18 | 26 |
| YMG10402R2M | 2.2 \pm 20% | 100kHz,1.0V | 7/6.5 | 12 | 18 |
| YMG10403R3M | 3.3 \pm 20% | 100kHz,1.0V | 12/10.5 | 11 | 16 |
| YMG10404R7M | 4.7 \pm 20% | 100kHz,1.0V | 16/14 | 9.5 | 14 |
| YMG10406R8M | 6.8 \pm 20% | 100kHz,1.0V | 24/21.4 | 8.0 | 12 |
| YMG1040100M | 10 \pm 20% | 100kHz,1.0V | 30/27 | 7.5 | 8.5 |
| YMG1040150M | 15 \pm 20% | 100kHz,1.0V | 55/49 | 5.0 | 7.0 |
| YMG1040220M | 22 \pm 20% | 100kHz,1.0V | 70/62 | 5.0 | 6.0 |
| YMG1040330M | 33 \pm 20% | 100kHz,1.0V | 91/84 | 4.4 | 5.0 |
| YMG1040470M | 47 \pm 20% | 100kHz,1.0V | 155/138 | 3.0 | 4.0 |
| YMG1040680M | 33 \pm 20% | 100kHz,1.0V | 190/170 | 2.6 | 3.2 |
| YMG1050R21M | 0.21 \pm 20% | 100kHz,1.0V | 0.72/0.68 | 40 | 80 |
| YMG1050R33M | 0.33 \pm 20% | 100kHz,1.0V | 0.85/0.75 | 40 | 50 |
| YMG1050R47M | 0.47 \pm 20% | 100kHz,1.0V | 1.0/0.88 | 36 | 50 |
| YMG1050R68M | 0.68 \pm 20% | 100kHz,1.0V | 2.2/1.8 | 28 | 35 |
| YMG10501R0M | 1.0 \pm 20% | 100kHz,1.0V | 2.5/2.2 | 22 | 33 |
| YMG10501R5M | 1.5 \pm 20% | 100kHz,1.0V | 3.0/2.6 | 20 | 22 |
| YMG10502R2M | 2.2 \pm 20% | 100kHz,1.0V | 4.4/4.1 | 17 | 20 |
| YMG10503R3M | 3.3 \pm 20% | 100kHz,1.0V | 8/7.1 | 14 | 16 |

| Part Number | Inductance (μH) | Test Condition | RDC(m Ω) Max./Typ. | Irms(A) Typ. | Isat(A) Typ. |
|---------------|------------------------------|----------------|----------------------------|--------------|--------------|
| YMG10504R7M | 4.7 \pm 20% | 100kHz,1.0V | 13/11 | 10 | 12 |
| YMG10506R8M | 6.8 \pm 20% | 100kHz,1.0V | 18/16 | 8.0 | 11 |
| YMG1050100M | 10 \pm 20% | 100kHz,1.0V | 23/21 | 7.0 | 11 |
| YMG1050150M | 15 \pm 20% | 100kHz,1.0V | 37/32 | 6.5 | 7.0 |
| YMG1050220M | 22 \pm 20% | 100kHz,1.0V | 63/55 | 4.5 | 6.0 |
| YMG1050330M | 33 \pm 20% | 100kHz,1.0V | 118/102 | 4.0 | 5.0 |
| YMG1050470M | 47 \pm 20% | 100kHz,1.0V | 140/121 | 3.3 | 4.5 |
| YMG1050680M | 68 \pm 20% | 100kHz,1.0V | 185/166 | 2.5 | 4.0 |
| YMH100690R22M | 0.22 \pm 20% | 100kHz,1.0V | 0.58/0.53 | 45 | 70 |
| YMH10221R0M | 1 \pm 20% | 100kHz,1.0V | 5.5/5.2 | 16 | 15 |
| YMH10221R3M | 1.3 \pm 20% | 100kHz,1.0V | 5.5/5.2 | 15 | 14 |
| YMG120830R22M | 0.22 \pm 20% | 100kHz,1.0V | 0.7/0.63 | 45 | 50 |

12 Series

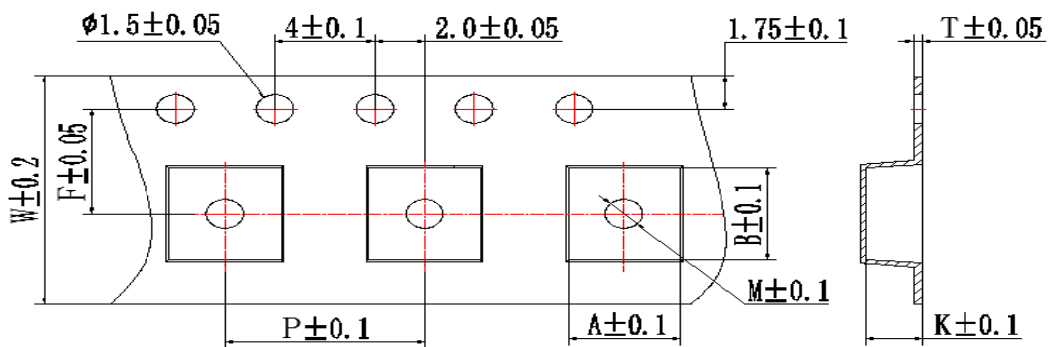
| Part Number | Inductance (μH) | Test Condition | RDC(m Ω) Max./Typ. | Irms(A) Typ. | Isat(A) Typ. |
|---------------|------------------------------|----------------|----------------------------|--------------|--------------|
| YMG120830R47M | 0.47 \pm 20% | 100kHz,1.0V | 1.75/1.65 | 28 | 30 |
| YMG120840R22M | 0.22 \pm 20% | 100kHz,1.0V | 0.58/0.53 | 50 | 60 |
| YMG120840R47M | 0.47 \pm 20% | 100kHz,1.0V | 1.2/1.12 | 36 | 37 |
| YMG1235R68M | 0.68 \pm 20% | 100kHz,1.0V | 2.2/2.0 | 22 | 40 |
| YMG12351R0M | 1.0 \pm 20% | 100kHz,1.0V | 3.3/2.9 | 20 | 38 |
| YMG1250R22M | 0.21 \pm 20% | 100kHz,1.0V | 0.6/0.45 | 38 | 60 |
| YMG1240470M | 47 \pm 20% | 100kHz,1.0V | 140/130 | 3.5 | 5.0 |
| YMG1250R33M | 0.33 \pm 20% | 100kHz,1.0V | 0.75/0.66 | 35 | 55 |
| YMH1240470M | 47 \pm 20% | 100kHz,1.0V | 140/130 | 3.5 | 8.0 |
| YMG1250R47M | 0.47 \pm 20% | 100kHz,1.0V | 1.2/1.1 | 32 | 50 |
| YMG1250R68M | 0.68 \pm 20% | 100kHz,1.0V | 1.4/1.3 | 32 | 46 |
| YMG12501R0M | 1.0 \pm 20% | 100kHz,1.0V | 2.2/1.9 | 23 | 40 |
| YMG12501R5M | 1.5 \pm 20% | 100kHz,1.0V | 3.2/2.8 | 23 | 36 |
| YMG1265100M | 10 \pm 20% | 100kHz,1.0V | 14.5/13.5 | 10 | 15 |
| YMG1265220M | 22 \pm 20% | 100kHz,1.0V | 42/38 | 6.5 | 10 |
| YMG1265101M | 100 \pm 20% | 100kHz,1.0V | 130/118 | 4.0 | 4.8 |

16 Series

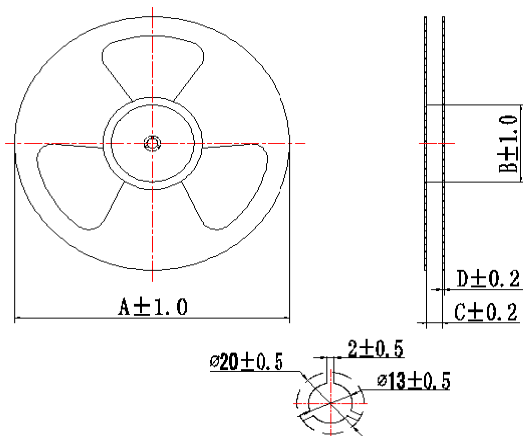
| Part Number | Inductance (μH) | Test Condition | RDC(m Ω) Max./Typ. | Irms(A) Typ. | Isat(A) Typ. |
|---------------|------------------------------|----------------|----------------------------|--------------|--------------|
| YMG160820R21M | 0.21 \pm 20% | 100kHz,1.0V | 1.56 \pm 5% | 28 | 45 |
| YMH160820R17M | 0.17 \pm 20% | 100kHz,1.0V | 1.56 \pm 5% | 28 | 65 |
| YMH160850R33M | 0.33 \pm 20% | 100kHz,1.0V | 0.59/0.54 | 40 | 73 |

Tape And Reel Dimensions[unit:mm]

Carrier Tape



Reel



| Type | Carrier Tape | | | | | | | | Cover Tape | Reel | | | | Package |
|--------|--------------|------|------|----|----|------|------|-----|------------|------|-----|------|-----|----------|
| | A | B | T | W | P | F | K | M | Width | A | B | C | D | Pcs/Reel |
| 252010 | 2.25 | 2.8 | 0.22 | 8 | 4 | 3.5 | 1.15 | 1.5 | 5.5±0.03 | 178 | 60 | 12 | 1.5 | 3000 |
| 252012 | 2.25 | 2.8 | 0.22 | 8 | 4 | 3.5 | 1.35 | 1.5 | 5.5±0.03 | 178 | 60 | 12 | 1.5 | 3000 |
| 322512 | 2.80 | 3.5 | 0.22 | 8 | 4 | 3.5 | 1.35 | 1.5 | 5.5±0.03 | 178 | 60 | 12 | 1.5 | 2000 |
| 0312 | 3.40 | 3.8 | 0.35 | 12 | 8 | 5.5 | 1.35 | 1.5 | 9.3±0.03 | 330 | 100 | 12.5 | 2 | 3000 |
| 03A15 | 3.30 | 3.3 | 0.35 | 12 | 8 | 5.5 | 1.75 | 1.5 | 9.3±0.03 | 330 | 100 | 12.5 | 2 | 3000 |
| 0315 | 3.4 | 3.8 | 0.35 | 12 | 8 | 5.5 | 1.75 | 1.5 | 9.3±0.03 | 330 | 100 | 12.5 | 2 | 3000 |
| 0320 | 3.4 | 3.8 | 0.35 | 12 | 8 | 5.5 | 2.30 | 1.5 | 9.3±0.03 | 330 | 100 | 12.5 | 2 | 3000 |
| 0408 | 4.5 | 4.8 | 0.35 | 12 | 8 | 5.5 | 1.20 | 1.5 | 9.3±0.03 | 330 | 100 | 12.5 | 2 | 3000 |
| 0410 | 4.5 | 4.8 | 0.35 | 12 | 8 | 5.5 | 1.20 | 1.5 | 9.3±0.03 | 330 | 100 | 12.5 | 2 | 3000 |
| 04A12 | 4.5 | 4.8 | 0.35 | 12 | 8 | 5.5 | 1.35 | 1.5 | 9.3±0.03 | 330 | 100 | 12.5 | 2 | 3000 |
| 0412 | 4.5 | 4.8 | 0.35 | 12 | 8 | 5.5 | 1.40 | 1.5 | 9.3±0.03 | 330 | 100 | 12.5 | 2 | 3000 |
| 0415 | 4.5 | 4.8 | 0.35 | 12 | 8 | 5.5 | 1.90 | 1.5 | 9.3±0.03 | 330 | 100 | 12.5 | 2 | 3000 |
| 0420 | 4.5 | 4.8 | 0.35 | 12 | 8 | 5.5 | 2.50 | 1.5 | 9.3±0.03 | 330 | 100 | 12.5 | 2 | 3000 |
| 0515 | 5.55 | 5.9 | 0.35 | 12 | 8 | 5.5 | 1.75 | 1.5 | 9.3±0.03 | 330 | 100 | 12.5 | 2 | 2000 |
| 0518 | 5.55 | 5.9 | 0.35 | 12 | 8 | 5.5 | 2.05 | 1.5 | 9.3±0.03 | 330 | 100 | 12.5 | 2 | 2000 |
| 0520 | 5.55 | 5.9 | 0.35 | 12 | 8 | 5.5 | 2.30 | 1.5 | 9.3±0.03 | 330 | 100 | 12.5 | 2 | 2000 |
| 0530 | 5.7 | 5.9 | 0.35 | 12 | 8 | 5.5 | 3.40 | 1.5 | 9.3±0.03 | 330 | 100 | 12.5 | 2 | 2000 |
| 0610 | 7.2 | 7.5 | 0.35 | 12 | 12 | 7.5 | 1.20 | 1.5 | 13.3±0.03 | 330 | 100 | 16.5 | 2 | 2000 |
| 0615 | 7.2 | 7.5 | 0.35 | 16 | 12 | 7.5 | 1.75 | 1.5 | 13.3±0.03 | 330 | 100 | 16.5 | 2 | 1000 |
| 0618 | 7.2 | 7.5 | 0.35 | 16 | 12 | 7.5 | 2.30 | 1.5 | 13.3±0.03 | 330 | 100 | 16.5 | 2 | 1000 |
| 0620 | 7.2 | 7.5 | 0.35 | 16 | 12 | 7.5 | 2.70 | 1.5 | 13.3±0.03 | 330 | 100 | 16.5 | 2 | 1000 |
| 0624 | 7.2 | 7.5 | 0.35 | 16 | 12 | 7.5 | 2.80 | 1.5 | 13.3±0.03 | 330 | 100 | 16.5 | 2 | 1000 |
| 0630 | 7.2 | 7.5 | 0.35 | 16 | 12 | 7.5 | 3.60 | 1.5 | 13.3±0.03 | 330 | 100 | 16.5 | 2 | 1000 |
| 0640 | 7.2 | 7.5 | 0.35 | 16 | 12 | 7.5 | 4.20 | 1.5 | 13.3±0.03 | 330 | 100 | 16.5 | 2 | 1000 |
| 0650 | 7.2 | 7.5 | 0.35 | 16 | 12 | 7.5 | 5.60 | 1.5 | 13.3±0.03 | 330 | 100 | 16.5 | 2 | 1000 |
| 0730 | 7.4 | 8.0 | 0.35 | 16 | 12 | 7.5 | 3.40 | 1.5 | 13.3±0.03 | 330 | 100 | 16.5 | 2 | 1000 |
| 0750 | 7.4 | 8.0 | 0.35 | 16 | 12 | 7.5 | 5.40 | 1.5 | 13.3±0.03 | 330 | 100 | 16.5 | 2 | 500 |
| 1040 | 10.3 | 11.5 | 0.35 | 24 | 16 | 11.5 | 4.20 | 1.5 | 21.3±0.03 | 330 | 100 | 24.5 | 2 | 500 |
| 1050 | 10.3 | 11.5 | 0.35 | 24 | 16 | 11.5 | 5.20 | 1.5 | 21.3±0.03 | 330 | 100 | 24.5 | 2 | 500 |
| 1058 | 10.3 | 11.5 | 0.35 | 24 | 16 | 11.5 | 6.00 | 1.5 | 21.3±0.03 | 330 | 100 | 24.5 | 2 | 500 |
| 100535 | 5.5 | 11.5 | 0.4 | 24 | 12 | 11.5 | 3.90 | 1.5 | 21.3±0.03 | 330 | 100 | 24.5 | 2 | 1000 |
| 100550 | 6.0 | 11.5 | 0.35 | 24 | 12 | 11.5 | 5.20 | 1.5 | 21.3±0.03 | 330 | 100 | 24.5 | 2 | 1000 |
| 120830 | 8.4 | 13.4 | 0.4 | 24 | 16 | 11.5 | 3.20 | 1.5 | 21.3±0.03 | 330 | 100 | 24.5 | 2 | 500 |
| 120840 | 8.4 | 13.4 | 0.4 | 24 | 16 | 11.5 | 4.20 | 1.5 | 21.3±0.03 | 330 | 100 | 24.5 | 2 | 500 |
| 1235 | 13.4 | 14.1 | 0.4 | 24 | 16 | 11.5 | 3.60 | 1.5 | 21.3±0.03 | 330 | 100 | 24.5 | 2 | 500 |
| 1250 | 13.4 | 14.1 | 0.4 | 24 | 16 | 11.5 | 5.20 | 1.5 | 21.3±0.03 | 330 | 100 | 24.5 | 2 | 500 |
| 160820 | 9.1 | 17.4 | 0.4 | 32 | 16 | 14.2 | 2.40 | 2 | 26.9±0.03 | 330 | 100 | 32.5 | 2 | 500 |
| 160850 | 9.1 | 17.4 | 0.4 | 32 | 16 | 14.2 | 5.20 | 2 | 26.9±0.03 | 330 | 100 | 32.5 | 2 | 500 |