

# SPECIFICATION FOR APPROVAL

<b>CUSTOMER</b>	
<b>PRODUCT NAME</b>	Molding Choke
<b>YUNSHENG PART No.</b>	YMC03B18R56M
<b>CUSTOMER PART No.</b>	
<b>RELEASE DATE</b>	2019/04/09

【New Released, Revised】

CUSTOMER APPROVE :

THE SPECIFICATION HAS BEEN ACCEPTED.

CONFIRMED : APPROVED :

DATE :

宁波韵升电子元器件技术有限公司  
 Ningbo Yunsheng Electronic Components  
 Technology Co., Ltd.  
 地址：浙江省宁波市国家高新区沧海路 225 号  
 Add: NO.225 Canghai Road, National Hi-tech  
 District, Ningbo City, Zhejiang province.  
 Tel :0574-27861369 Fax:0574-27861307

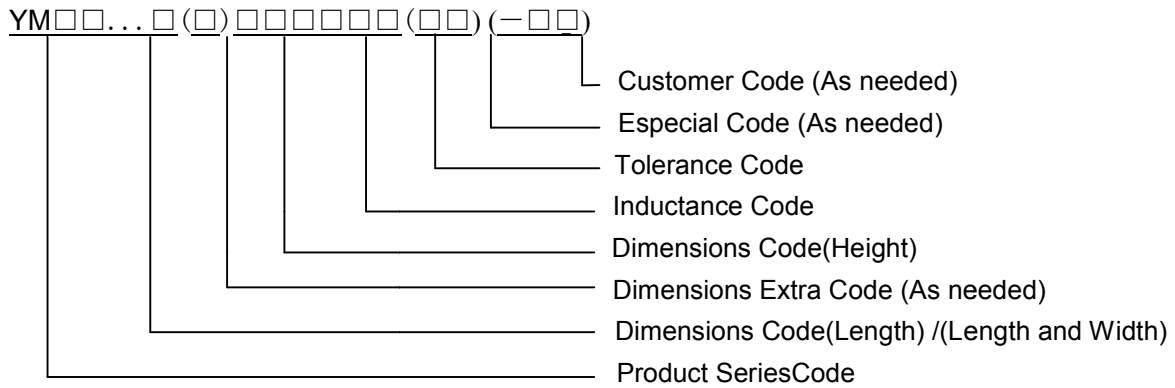
REPORTED BY	CHECKED BY	APPROVED BY

Change Record:			
CHANGE DATE	CHANGE WRITING	YUNSHENG PART NO.	VERSION
2019/04/09	New Version	YMC03B18R56M	A/0
	Following Blank		

### 1 Scope

This specification applies to the large current, low loss power molding choke.

### 2 Product Identification (Part Number)



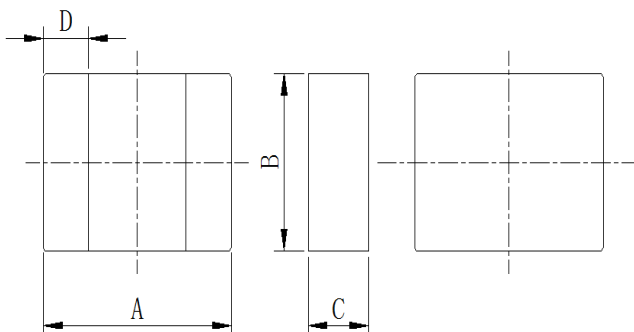
### 3 Rating

- a. Operating temperature range : -40°C~+125°C. ( Including self - temperature rise )
- b. Storage Temperature < 35°C , Humidity < 75% RH.

### 4 Standard Testing Condition

Temperature	Ambient Temperature(25±3°C)
Humidity	Ambient Humidity(60±20% RH)

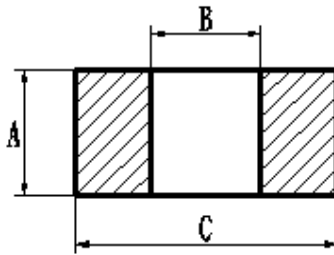
### 5 Configuration and Dimensions



Type	Dimensions ( mm )
A	3.1±0.2
B	2.9±0.2
C	1.6±0.2
D	0.7±0.3

Coating : No Gray Black

## Recommend Land Pattern Dimensions



Type	Dimensions ( mm )
A	3.2
B	1.5
C	3.5

## 6 Electrical Characteristic

Part NO.	Inductance ( $\mu\text{H}$ )	Test conditions	I <sub>rms</sub> (A) Typ.	I <sub>sat</sub> (A) Typ.	DCR(m $\Omega$ ) Max/Typ.
YMC03B18R56M	0.56 $\pm$ 20%	100kHz,1V	11.0	9.0	13/11

Note:

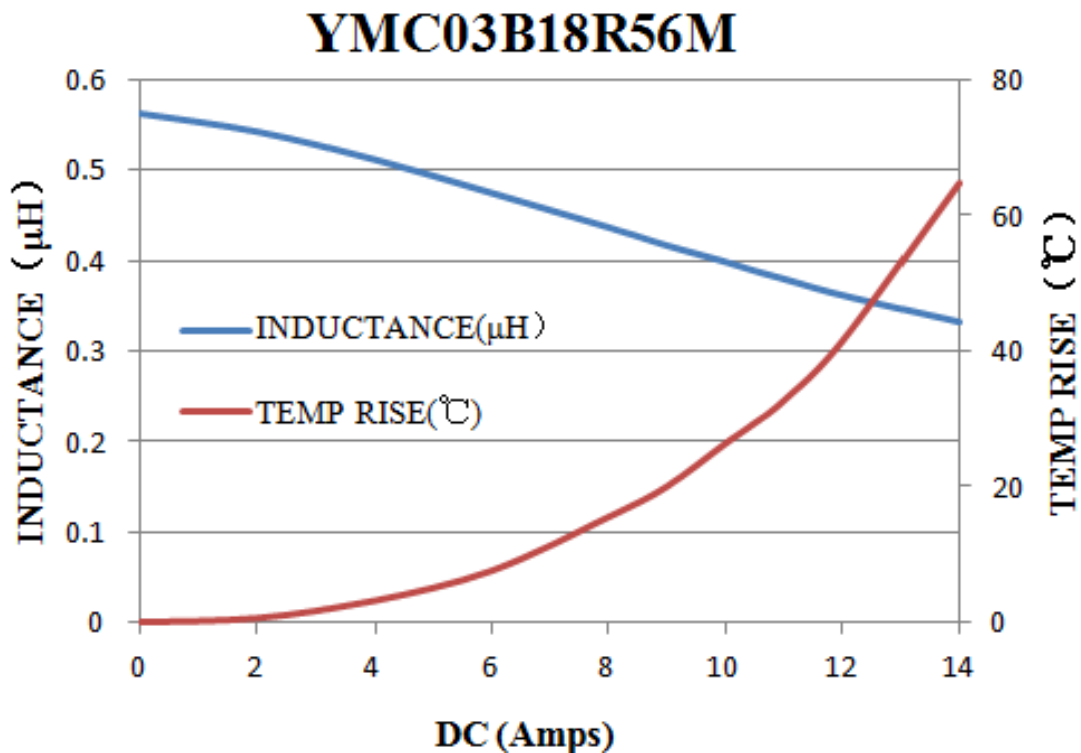
- a. I<sub>rms</sub>: DC current (A) that will cause an approximate  $\Delta T$  of 40°C.
- b. I<sub>sat</sub>: DC current (A) that will cause L<sub>0</sub> to drop approximately 30%.
- c. The part temperature (ambient + temp. rise) should not exceed 125 °C under worst case operating conditions.
- d. Temperature rise is highly depending on many factors, including PCB land pattern, trace size, and proximity to other components. Therefore temperature rise should be verified in application conditions.

## 7 Performance Graphs

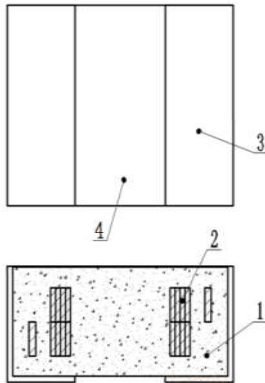
### Inductance and Temperature Rise VS. DC Bias

Test Instrument	Test Condition
<input type="checkbox"/> WK 6500B Precision Impedance Analyzer+ WK 6565B Bias Current Source <input checked="" type="checkbox"/> WK 3260B Precision Impedance Analyzer + WK 3265B Bias Current Source	Temperature: 25 ± 3 °C
	Humidity: 60 ±20% RH
	Frequency: <input checked="" type="checkbox"/> 100 kHz <input type="checkbox"/> 1MHz
	OSC Level: 1.0V

CURRENT ( A )	0	4	6	8	10.5	12
Ls(μH )	0.562	0.511	0.474	0.436	0.388	0.361
L <sub>0</sub> Drop	0	9.07%	15.66%	22.42%	30.96%	35.77%
ΔT ( °C )	0	3.2	7.6	15.5	29.3	41.3



## 8 StructureMaterial List:



Item	Part	Description
1	Core	Soft magnetic powder
2	Wire	Enameled copper wire
3	Terminal	Copper Nickel Tin
4	Coating	Epoxy resin

## 9 Reliability Test

### 9.1 Mechanical Performance

No.	Item	Test Method	Specification
1-1	Solderability	1.SolderComposition: Sn/Ag3.0/Cu0.5 ; 2.Solder Temperature: 245±5°C ; 3.Immersion Time: 5±1sec.	The electrodes shall be at least 95%covered with new solder coating.
1-2	Terminal Strength	1. Solder the sample to the testing PCB using reflow soldering ; 2. Apply a force of 17.7N perpendicular to the lateral side face of the sample for 60±1s.	1.The sample shall not come off the test board ; 2.Terminal without disconnection or no rupture trace on product matrix ; 3.Inductance change: Within ±10% ; 4.DCR change: Within±10%.
1-3	Vibration	1.Solder the sample to the testing PCB using reflow soldering ; 2.Vibration frequency: 10 to 55 to 10Hz for 60 seconds ; 3.Time: 2 hours for each axis (x, y and z) ; 4.Amplitude: the maximum 1.5mm.	1. No significant abnormality in appearance ; 2.Inductance change: Within ±10% ; 3.DCR change: Within±10%.
1-4	Resistance of soldering heat	1.Preheat condition: 150±5°C/60±5sec.; 2.Reflow Max Temp: 250±5°C; 3.Max Time at Max Temp: 30sec.; 4.Reflow Time: 3 times.	1. No significant abnormality in appearance ; 2.Inductance change: Within ±10% ; 3.DCR change: Within±10%.

### 9.2 Environmental Test

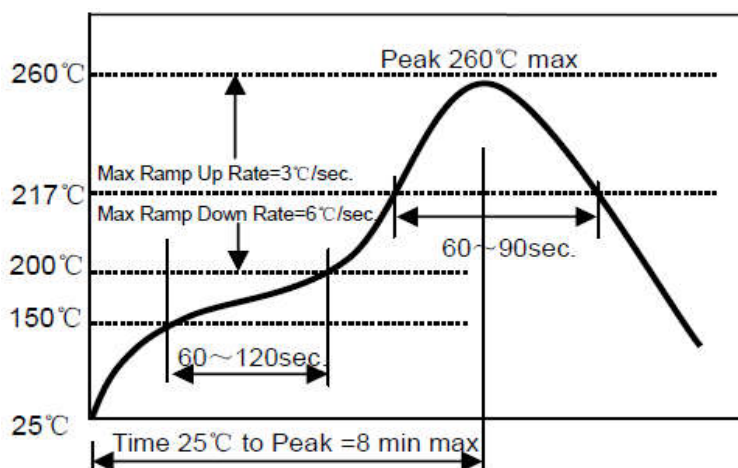
No.	Item	Test Method	Specification
2-1	Temperature shock test	1. 10 cycles, 1 cycle shall consist of: -55+0/-5°C,30±3minutes→125+5/-0°C, 30±3minutes, Limiting temperatures transition shall be in 15 seconds ; 2. Measured after exposure under standard condition for 24±4 hours.	1. No significant abnormality in appearance ; 2.Inductance change: Within ±10% ; 3.DCR change: Within±10%.

No.	Item	Test Method	Specification
2-2	Damp heat test	1. Storage temperature: 85±2°C ; 2. Relative Humidity: 85±5% ; 3. Duration: 168 +4/-0 hours ; 4. Measured after exposure under standard condition for 24±4 hours.	1. No significant abnormality in appearance ; 2. Inductance change: Within ±10% ; 3.DCR change: Within±10%.
2-3	High temperature	1. Storage temperature: 125+2/-0°C ; 2. Duration: 500 +4/-0 hours ; 3. Measured after exposure under standard condition for 24±4 hours.	1. No significant abnormality in appearance ; 2.Inductance change: Within ±10% ; 3.DCR change: Within±10%.
2-4	Low temperature	1. Storage temperature: -55+2/-0°C ; 2. Duration : 500 +4/-0 hours 3.Measured after exposure under standard condition for 24±4 hours.	1. No significant abnormality in appearance ; 2.Inductance change: Within ±10% ; 3. DCR change: Within±10%.

## 10 Recommended Soldering Technologies

### Re-flowing Profile:

- △ Preheat condition: 150 ~200°C/60~120sec.
- △ Allowed time above 217°C: 60~90sec.
- △ Max temp: 260°C
- △ Max time at max temp: 5sec.
- △ Solder paste: Sn/3.0Ag/0.5Cu
- △ Allowed Reflow time: 2x max



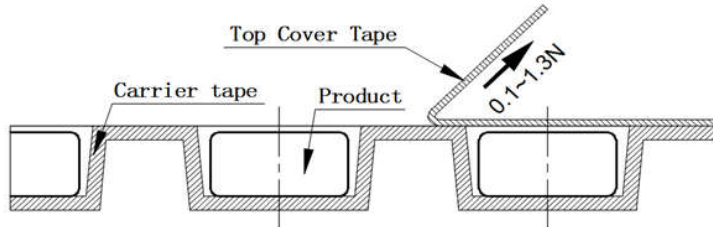
### Note:

The reflow profile in the above table is only for qualification and is not meant to specify board assembly profiles. Actual board assembly profiles must be based on the customer's specific board design, solder paste and process, and should not exceed the parameters as the Reflow profile shows.

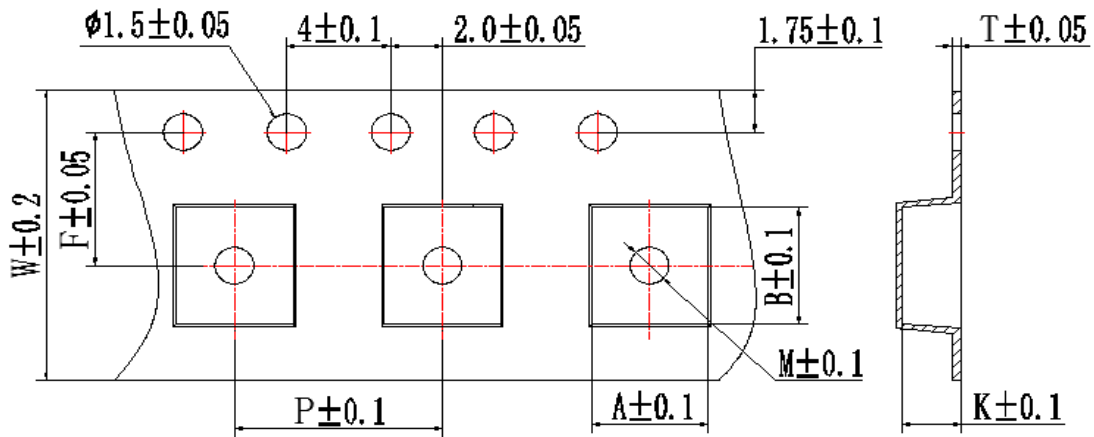
## 11 Packaging

### 11.1 Packaging-Cover tape

The peel force of top cover tape shall be between 0.1to1.3N.



### 11.2 Tape Dimensions in mm

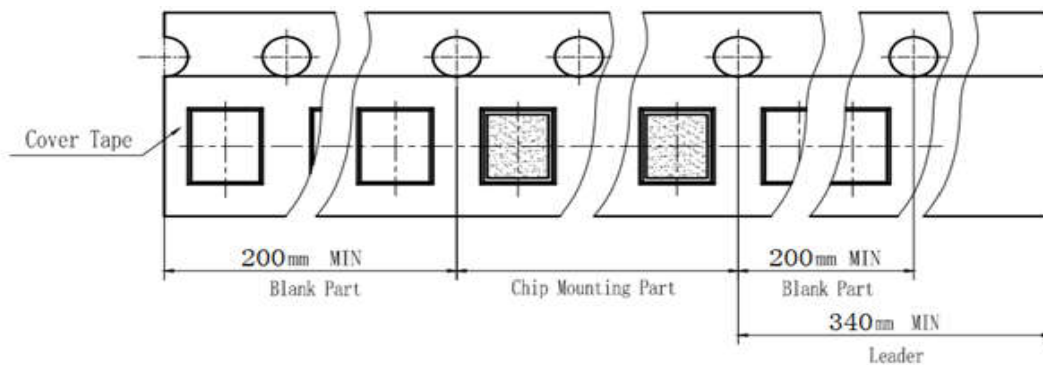


Type	Carrier Tape Dimensions							
	A	B	T	W	P	F	K	M
03B18	3.3	3.3	0.35	12	8	5.5	2.2	1.5

### 11.3 Tape materials

Carrier Tape : polycarbonate (PC , Transparent)

Cover Tape : polystyrene (PS, Transparent , Heat sealing type)

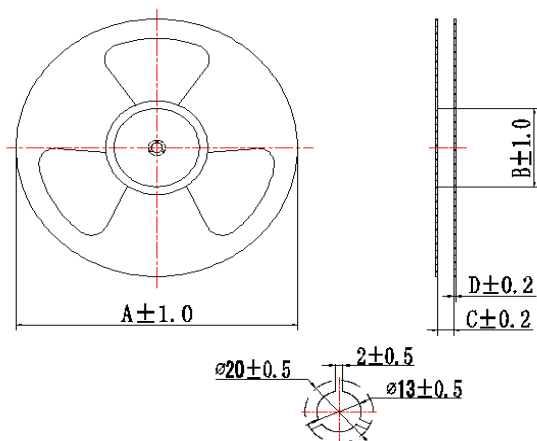




### 11.4 Packaging Quantity

Type	Bulk	Pcs/Reel
03B18	/	3000

### 11.5 Reel Dimensions



Reel Dimensions : mm

Type	A	B	C	D
03B18	330	100	12.5	2

## 12 Notice

1. Please make sure that your product has been evaluated and confirmed against your specifications when our product is mounted to your product.
2. Do not knock nor drop.
3. All the items and parameters in this product specification have been prescribed on the premise that our product is used for the purpose, under the condition and in the environment agreed upon between you and us. You are requested not to use our product deviating from such agreement.
4. Please keep the distance between molding choke and other components (refer to the IEC 950).

## Appendix

### INSPECTION DATA

Test Items	Dimension(mm)				Ls ( $\mu$ H)	Rdc (m $\Omega$ )	$\Delta$ L/L0 (%)	Temp. rise ( $^{\circ}$ C)
	A	B	C	D				
Target	3.10	2.90	1.60	0.70	0.56	11	Isat: 9.0A	Irms: 11.0A
Range	$\pm$ 0.20	$\pm$ 0.20	$\pm$ 0.20	$\pm$ 0.30	$\pm$ 20%	13Max	$\approx$ 30%	$\leq$ 40 $^{\circ}$ C
1	3.216	3.017	1.786	0.709	0.546	10.7	25.96	28.7
2	3.229	2.903	1.778	0.708	0.569	10.8	25.85	32.6
3	3.197	3.023	1.781	0.651	0.580	10.7	24.04	33.1
4	3.198	2.971	1.737	0.701	0.558	10.9	26.24	35.4
5	3.234	2.935	1.775	0.755	0.556	10.8	25.22	31.9
Max.	3.234	3.023	1.786	0.755	0.580	10.9	26.24	35.4
Min.	3.197	2.903	1.737	0.651	0.546	10.7	24.04	28.7
Ave.	3.215	2.968	1.769	0.704	0.562	10.8	25.37	32.3