

# SPECIFICATION FOR APPROVAL

|                          |               |
|--------------------------|---------------|
| <b>CUSTOMER</b>          |               |
| <b>PRODUCT NAME</b>      | Molding Choke |
| <b>YUNSHENG PART NO.</b> | YMG06401R5M   |
| <b>CUSTOMER PART NO.</b> |               |
| <b>RELEASE DATE</b>      | 2019/1/16     |

【New Released, Revised】

CUSTOMER APPROVE :

THE SPECIFICATION HAS BEEN ACCEPTED.

CONFIRMED :

APPROVED :

DATE :

宁波韵升电子元器件技术有限公司

Ningbo Yunsheng Electronic Components  
Technology Co., Ltd.

地址：浙江省宁波市国家高新区沧海路 225 号  
Add: NO.225 Canghai Road, National Hi-tech  
District ,Ningbo City,Zhejiang province.

Tel :0574-27861369 Fax:0574-27861307

| REPORTED<br>BY | CHECKED<br>BY | APPROVED<br>BY |
|----------------|---------------|----------------|
|                |               |                |

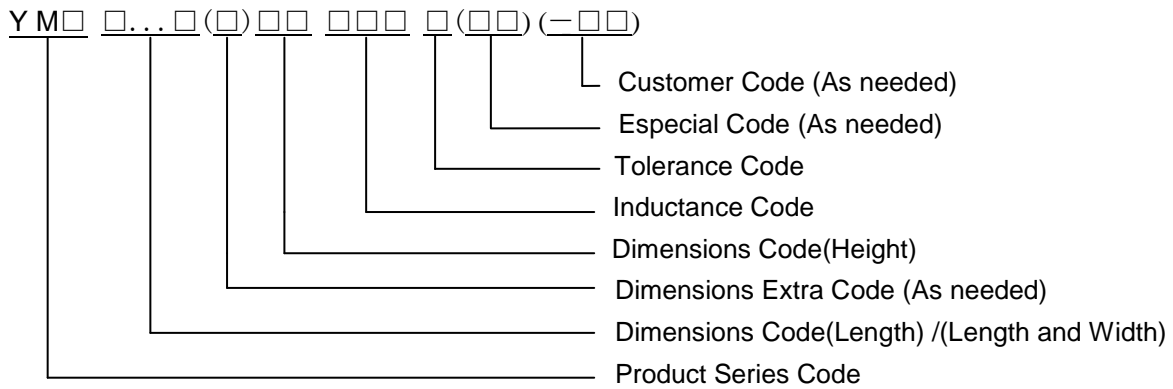
## Change Record:

| CHANGE DATE | CHANGE WRITING  | YUNSHENG PART NO. | VERSION |
|-------------|-----------------|-------------------|---------|
| 2019/1/16   | New Version     | YMG06401R5M       | A       |
|             | Following Blank |                   |         |
|             |                 |                   |         |
|             |                 |                   |         |
|             |                 |                   |         |
|             |                 |                   |         |
|             |                 |                   |         |
|             |                 |                   |         |
|             |                 |                   |         |
|             |                 |                   |         |
|             |                 |                   |         |

### 1 Scope

This specification applies to the large current, low loss power molding choke.

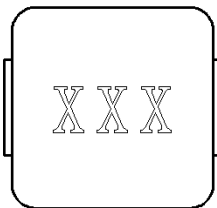
### 2 Product Identification (Part Number)



### 3 Rating

- a. Operating temperature range : -40°C~+125°C. ( Including self - temperature rise )
- b. Storage Temperature < 35°C ,Humidity<75% RH.

### 4 Marking and Coating



**Example :** YMG06401R0M

**Marking :** 1R0

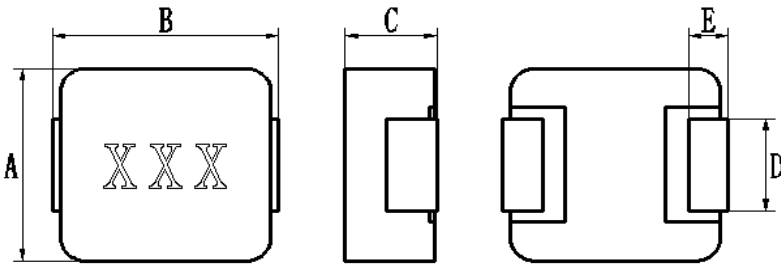
**Marking color :** Black

**Coating:** No    Gray    Black

### 5 Standard Testing Condition

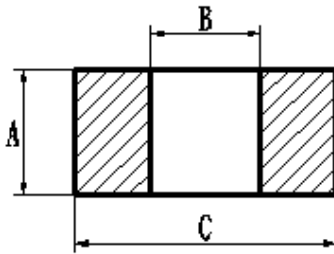
|             |                             |
|-------------|-----------------------------|
| Temperature | Ambient Temperature(25±3°C) |
| Humidity    | Ambient Humidity(60±20% RH) |

## 6 Configuration and Dimensions



| Type | Dimensions ( mm ) |
|------|-------------------|
| A    | 6.6±0.15          |
| B    | 7.2±0.3           |
| C    | 3.8±0.2           |
| D    | 3.0±0.5           |
| E    | 1.6±0.3           |

### Recommend Land Pattern Dimensions



| Type | Dimensions ( mm ) |
|------|-------------------|
| A    | 3.7               |
| B    | 3.7               |
| C    | 8.4               |

## 7 Electrical Characteristic

| Part NO.    | Inductance ( uH ) | Test conditions | Isat(A) Typ. | Irms(A) Typ. | RDC(mΩ) Max./Typ. | Marking |
|-------------|-------------------|-----------------|--------------|--------------|-------------------|---------|
| YMG06401R5M | 1.5±20%           | 100kHz, 1.0V    | 13           | 9.7          | 12.6/11.5         | 1R5     |

Note:

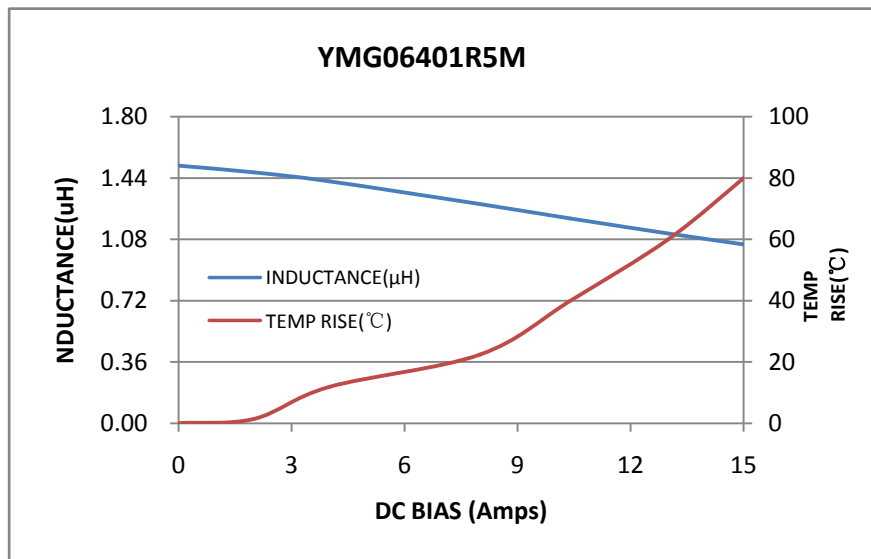
- Irms: DC current (A) that will cause an approximate  $\Delta T$  of 40°C.
- Isat: DC current (A) that will cause  $L_0$  to drop approximately 30%.
- The part temperature (ambient + temp. rise) should not exceed 125 °C under worst case operating conditions.
- Temperature rise is highly depending on many factors, including PCB land pattern, trace size, and proximity to other components. Therefore temperature rise should be verified in application conditions.

## 8 Performance Graphs

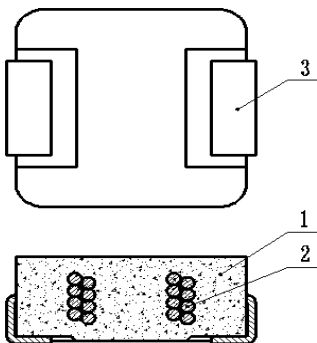
### 8.1 Inductance and Temperature Rise VS. DC Bias

| Test Instrument  | Test Condition   |
|--|--|
| <input type="checkbox"/> WK 6500B Precision Impedance Analyzer+<br>WK 6565B Bias Current Source<br><input checked="" type="checkbox"/> WK 3260B Precision Impedance Analyzer +<br>WK 3265B Bias Current Source | Temperature: 25 ± 3 °C   |
|  | Humidity: 60 ±20% RH   |
|  | Frequency: <input checked="" type="checkbox"/> 100 kHz <input type="checkbox"/> 1MHz |
|  | OSC Level: 1.0V  |

| CURRENT (A) | 0      | 2      | 4      | 8      | 10.4   | 13     | 15     |
|-------------|--------|--------|--------|--------|--------|--------|--------|
| Ls (μ H)    | 1.5120 | 1.4730 | 1.4215 | 1.2865 | 1.2027 | 1.1150 | 1.0500 |
| Drop        | 0      | 2.58%  | 5.99%  | 14.91% | 20.46% | 26.26% | 30.56% |
| ΔT (°C)     | 0      | 1.4    | 11.9   | 22.4   | 40.0   | /      | /      |



## 9 Structure



### Material List:

| Item | Part     | Description          |
|------|----------|----------------------|
| 1    | Core     | Soft magnetic powder |
| 2    | Wire     | Enameled copper wire |
| 3    | Terminal | Tin copper           |

## 10 Reliability Test

### 10.1 Mechanical Performance

| No. | Item                         | Test Method   | Specification  |
|-----|------------------------------|---|--|
| 1-1 | Solderability                | 1.Solder Composition: Sn/Ag3.0/Cu0.5 ;<br>2.Solder Temperature: 245±5°C ;<br>3.Immersion Time: 5±1sec.  | The electrodes shall be at least 95% covered with new solder coating.  |
| 1-2 | Terminal Strength            | 1. Solder the sample to the testing PCB using reflow soldering ;<br>2. Apply a force of 17.7N perpendicular to the lateral side face of the sample for 60±1s.   | 1. The sample shall not come off the test board ;<br>2. Terminal without disconnection or no rupture trace on product matrix ;<br>3. Inductance change: Within ±10% ;<br>4. DCR change: Within ±10%. |
| 1-3 | Vibration                    | 1.Solder the sample to the testing PCB using reflow soldering ;<br>2. Vibration frequency: 10 to 55 to 10Hz for 60 seconds ;<br>3. Time: 2 hours for each axis (x, y and z) ;<br>4. Amplitude: the maximum 1.5mm. | 1. No significant abnormality in appearance ;<br>2. Inductance change: Within ±10% ;<br>3. DCR change: Within ±10%.  |
| 1-4 | Resistance of soldering heat | Solder bath temperature: 270±5 °C<br>Dwell time: 8±1s.  | 1. No significant abnormality in appearance ;<br>2. Inductance change: Within ±10% ;<br>3. DCR change: Within ±10%.  |

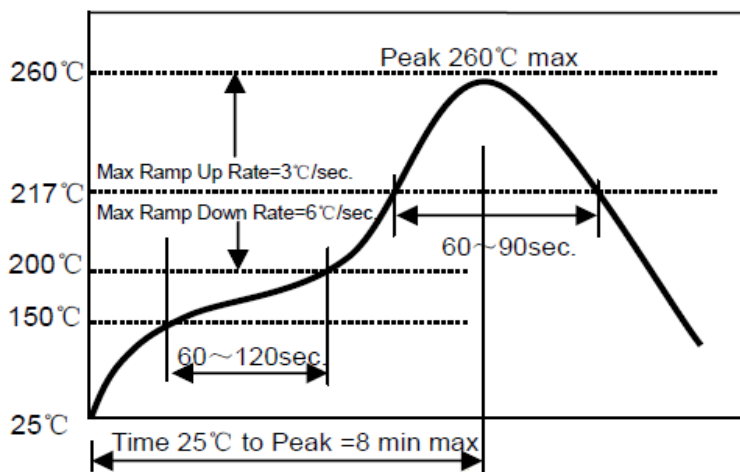
### 10.2 Environmental Test

| No. | Item                   | Test Method  | Specification   |
|-----|------------------------|--|---|
| 2-1 | Temperature shock test | 1. 10 cycles, 1 cycle shall consist of:<br>-55+0/-5°C, 30±3 minutes → 125+5/-0°C, 30±3 minutes, Limiting temperatures transition shall be in 15 seconds ;<br>2. Measured after exposure under standard condition for 24±4 hours. | 1. No significant abnormality in appearance ;<br>2. Inductance change: Within ±10% ;<br>3. DCR change: Within ±10%. |
| 2-2 | Damp heat test         | 1. Storage temperature: 85±2°C ;<br>2. Relative Humidity: 85±5% ;<br>3. Duration: 168 +4/-0 hours ;<br>4. Measured after exposure under standard condition for 24±4 hours.   | 1. No significant abnormality in appearance ;<br>2. Inductance change: Within ±10% ;<br>3. DCR change: Within ±10%. |
| 2-3 | High temperature       | 1. Storage temperature: 125+2/-0°C ;<br>2. Duration: 500 +4/-0 hours ;<br>3. Measured after exposure under standard condition for 24±4 hours.  | 1. No significant abnormality in appearance ;<br>2. Inductance change: Within ±10% ;<br>3. DCR change: Within ±10%. |
| 2-4 | Low temperature        | 1. Storage temperature: -55+2/-0°C ;<br>2. Duration : 500 +4/-0 hours<br>3. Measured after exposure under standard condition for 24±4 hours.   | 1. No significant abnormality in appearance ;<br>2. Inductance change: Within ±10% ;<br>3. DCR change: Within ±10%. |

## 11 Recommended Soldering Technologies

### Re-flowing Profile:

- △ Preheat condition: 150 ~200°C/60~120sec.
- △ Allowed time above 217°C: 60~90sec.
- △ Max temp: 260°C
- △ Max time at max temp: 5sec.
- △ Solder paste: Sn/3.0Ag/0.5Cu
- △ Allowed Reflow time: 2x max



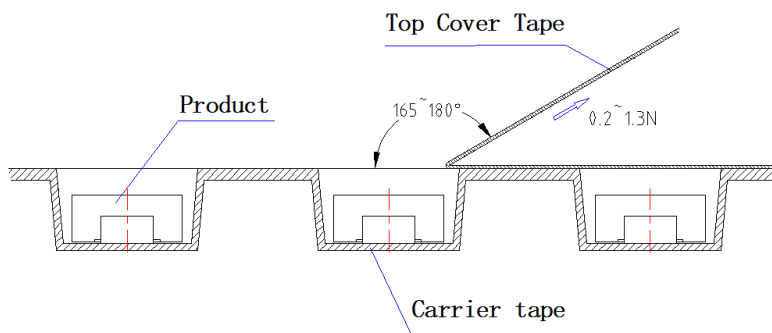
### Note:

The reflow profile in the above table is only for qualification and is not meant to specify board assembly profiles. Actual board assembly profiles must be based on the customer's specific board design, solder paste and process, and should not exceed the parameters as the Reflow profile shows.

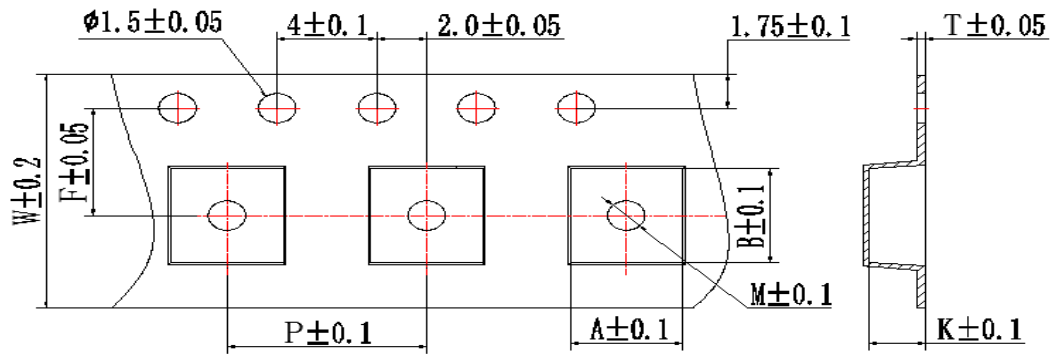
## 12 Packaging

### 12.1 Packaging - Cover tape

The peel force of top cover tape shall be between 0.2 to 1.3N.



### 12.2 Tape Dimensions in mm

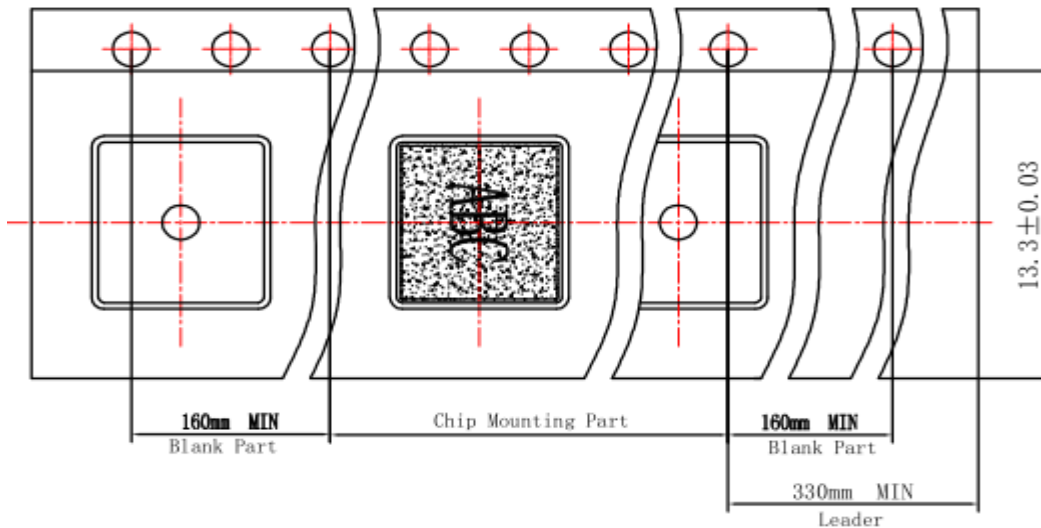


| Type | Carrier Tape Dimensions |     |      |    |    |     |     |     |
|------|-------------------------|-----|------|----|----|-----|-----|-----|
|      | A                       | B   | T    | W  | P  | F   | K   | M   |
| 0640 | 7.0                     | 7.5 | 0.35 | 16 | 12 | 7.5 | 4.2 | 1.5 |

### 12.3 Tape materials

Carrier Tape : polycarbonate (PC , Transparent)

Cover Tape : polystyrene (PS, Transparent , Heat sealing type)

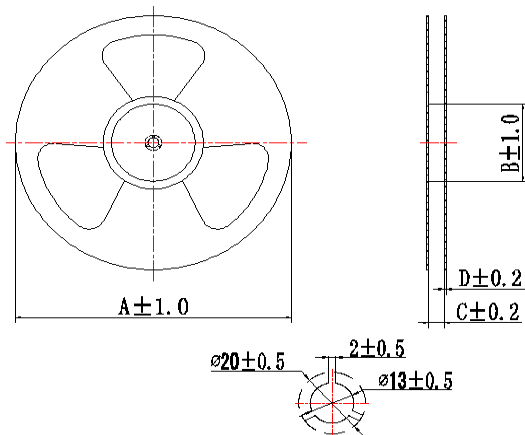


### 12.4 Packaging Quantity

| Type | Bulk | Pcs/Reel |
|------|------|----------|
| 0640 | /    | 1000     |



## 12.5 Reel Dimensions



Reel Dimensions : mm

| Type | A   | B   | C    | D   |
|------|-----|-----|------|-----|
| 0640 | 330 | 100 | 16.5 | 2.0 |

## 13 Notice

1. Please make sure that your product has been evaluated and confirmed against your specifications when our product is mounted to your product.
2. Do not knock nor drop.
3. All the items and parameters in this product specification have been prescribed on the premise that our product is used for the purpose, under the condition and in the environment agreed upon between you and us. You are requested not to use our product deviating from such agreement.
4. Please keep the distance between molding choke and other components (refer to the IEC 950).

## Appendix

### INSPECTION DATA

| Test Items    | Dimension(mm)                |                             |                             |                             | Ls<br>( $\mu$ H)             | Rdc<br>(m $\Omega$ ) | $\Delta$ L/L0<br>(%)             | Temp. rise<br>( $^{\circ}$ C)        |
|---------------|------------------------------|-----------------------------|-----------------------------|-----------------------------|------------------------------|----------------------|----------------------------------|--------------------------------------|
|               | A                            | B                           | C                           | E                           |                              |                      |                                  |                                      |
| <b>Target</b> | <b>6.6</b>                   | <b>7.2</b>                  | <b>3.8</b>                  | <b>1.6</b>                  | <b>1.5</b>                   | <b>11.5</b>          | <b>Isat: 13A</b>                 | <b>Irms: 9.7A</b>                    |
| <b>Range</b>  | <b><math>\pm 0.15</math></b> | <b><math>\pm 0.3</math></b> | <b><math>\pm 0.2</math></b> | <b><math>\pm 0.3</math></b> | <b><math>\pm 20\%</math></b> | <b>12.6Max</b>       | <b><math>\approx 30\%</math></b> | <b><math>\leq 40^{\circ}</math>C</b> |
| 1             | 6.623                        | 7.204                       | 3.768                       | 1.652                       | 1.500                        | 11.599               | 26.2                             | 35.9                                 |
| 2             | 6.624                        | 7.213                       | 3.687                       | 1.701                       | 1.502                        | 11.577               | 24.9                             | 33.9                                 |
| 3             | 6.625                        | 7.185                       | 3.684                       | 1.652                       | 1.501                        | 11.544               | 25.8                             | 35.7                                 |
| 4             | 6.624                        | 7.221                       | 3.686                       | 1.730                       | 1.419                        | 11.593               | 25.5                             | 34.9                                 |
| 5             | 6.627                        | 7.210                       | 3.685                       | 1.658                       | 1.502                        | 11.584               | 26.6                             | 36.0                                 |
| Max.          | 6.627                        | 7.221                       | 3.768                       | 1.730                       | 1.502                        | 11.599               | 26.6                             | 36.0                                 |
| Min.          | 6.623                        | 7.185                       | 3.684                       | 1.652                       | 1.419                        | 11.544               | 24.9                             | 33.9                                 |
| Ave.          | 6.625                        | 7.207                       | 3.702                       | 1.679                       | 1.485                        | 11.579               | 25.8                             | 35.3                                 |